

Contents

Important User Information	2	Moving the Towers	7
Safety Precautions	3	Arranging the Towers	7
Product Terminology	4	Raising a Tower	8
Tower Components	5	Lowering a Tower	10
Storing the Towers	6	Maintenance	12



Visit the Legacy Select Acoustical Tower web page at wengercorp.com for more information.

Note: Please read and understand these instructions before proceeding.
Note: If you need additional information, contact Wenger Corporation using the information below.

Important User Information

General

Copyright © 2024 by Wenger Corporation

All rights reserved. No part of the contents of this manual may be reproduced, copied, or transmitted in any form or by any means including graphic, electronic, or mechanical methods or photocopying, recording, or information storage and retrieval systems without the written permission of the publisher, unless it is for the purchaser's personal use.

Printed and bound in the United States of America.

The information in this manual is subject to change without notice and does not represent a commitment on the part of Wenger Corporation. Wenger Corporation does not assume any responsibility for any errors that may appear in these instructions.

In no event will Wenger Corporation be liable for technical or editorial omissions made herein, nor for direct, indirect, special, incidental, or consequential damages resulting from the use or defect of these instructions. The manufacturer reserves the right to change this product at any time.

The information in this document is not intended to cover all possible conditions and situations that might occur. The end user must exercise caution and common sense when assembling or installing Wenger Corporation products. If any questions or problems arise, call the Wenger Corporation at (800) 4WENGER (493-6437) or +1-507-455-4100 worldwide.

Manufacturer

The Legacy® Select Acoustic Tower is manufactured by:

Wenger Corporation
555 Park Drive
Owatonna, MN 55060
(800) 4WENGER (493-6437) • +1 (507) 455-4100
wengercorp.com

Intended Use

- This product is designed to be an acoustical reflector for vocal or instrumental groups. Towers may also be used as a backdrop or as a screen for other functions such as speeches and ceremonies.
- This product is intended for indoor use only. The performance and storage areas must at all times maintain a consistent climate control. The temperature should be from 60°F to 80°F (15°C to 27°C) and the humidity level should not exceed 60%.
- This product is intended to be assembled and used only as described in these instructions.

Warranty

Warranty information is available at wengercorp.com.

Safety Precautions

Throughout this document you may find cautions and warnings which are defined as follows:

- **WARNING:** Failure to follow the instruction could result in serious injury or damage to property.
- **CAUTION:** Failure to follow the instruction could result in minor injury or damage to property.

Read all of these safety instructions before using the equipment.

⚠ CAUTION

Make sure anyone assembling, installing or using this product has read and understands these instructions.

⚠ CAUTION

Failure to comply with Warnings and Cautions in this document or on the equipment can result in damage to property or injury.

⚠ CAUTION

Never use the tower to support scenery, signs, lighting, etc.

⚠ CAUTION

Never move the tower more than a few feet when it is in the Performance Position.

⚠ CAUTION

Always have the tower in the Storage Position when moving to different locations.

⚠ CAUTION

Never use the tower outdoors.

⚠ CAUTION

To prevent damage, transport towers individually and never nested in a group.

⚠ CAUTION

Do not use a powered device such as a fork lift to transport the towers.

Product Terminology

A Legacy Select acoustic tower includes a counter-weighted base on casters, a support frame, and three acoustical reflector panels.

The following terms are used throughout these instructions:

Tower - One complete unit.

Base - The assembly that supports the frame and panels.

Upper Assembly - The top of the three acoustical reflector panels.

Lower Assembly - The middle of the three acoustical reflector panels.

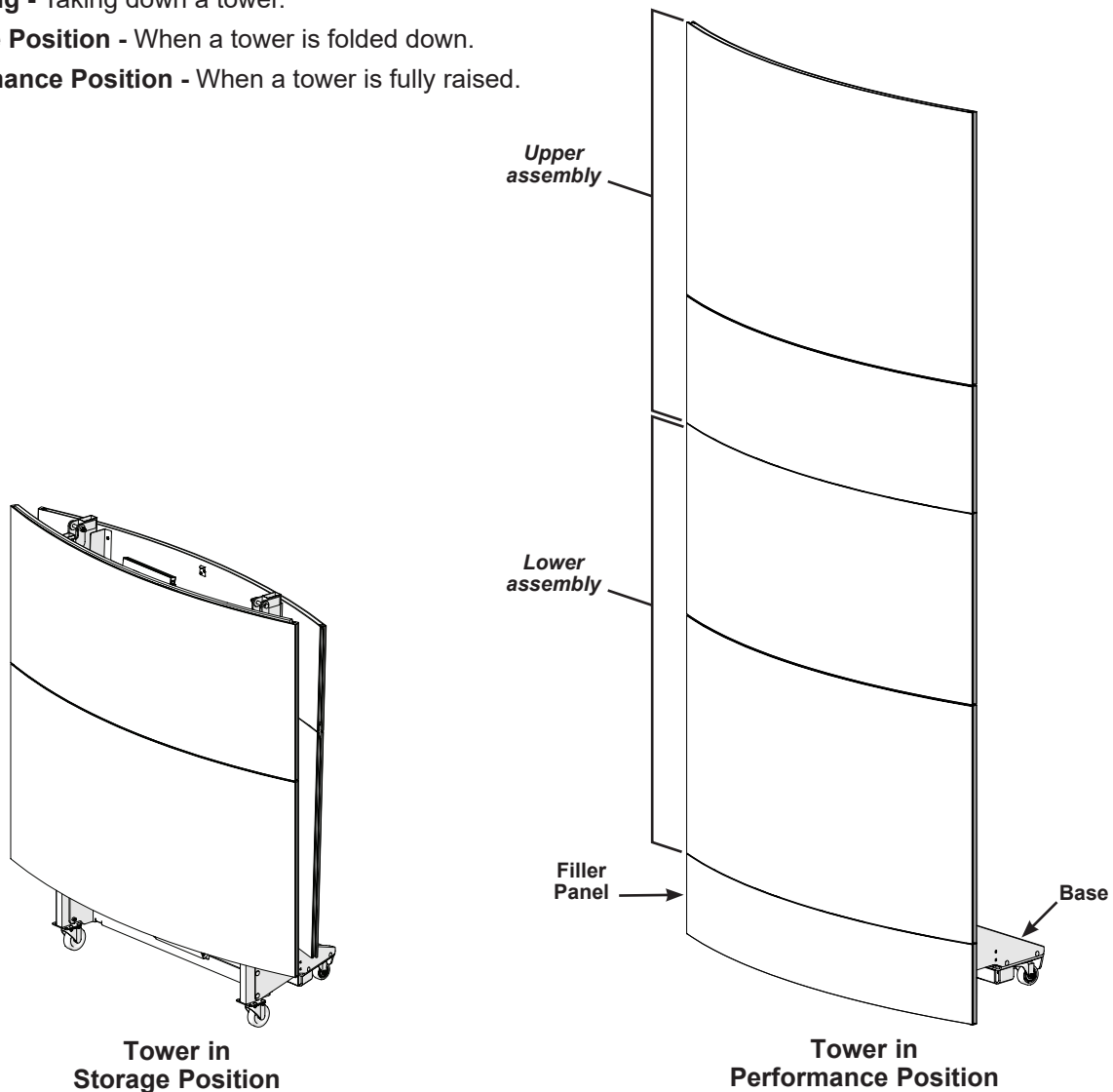
Filler Panel - The bottom of the three acoustical reflector panels.
This panel is removable.

Raising - Setting up a tower.

Lowering - Taking down a tower.

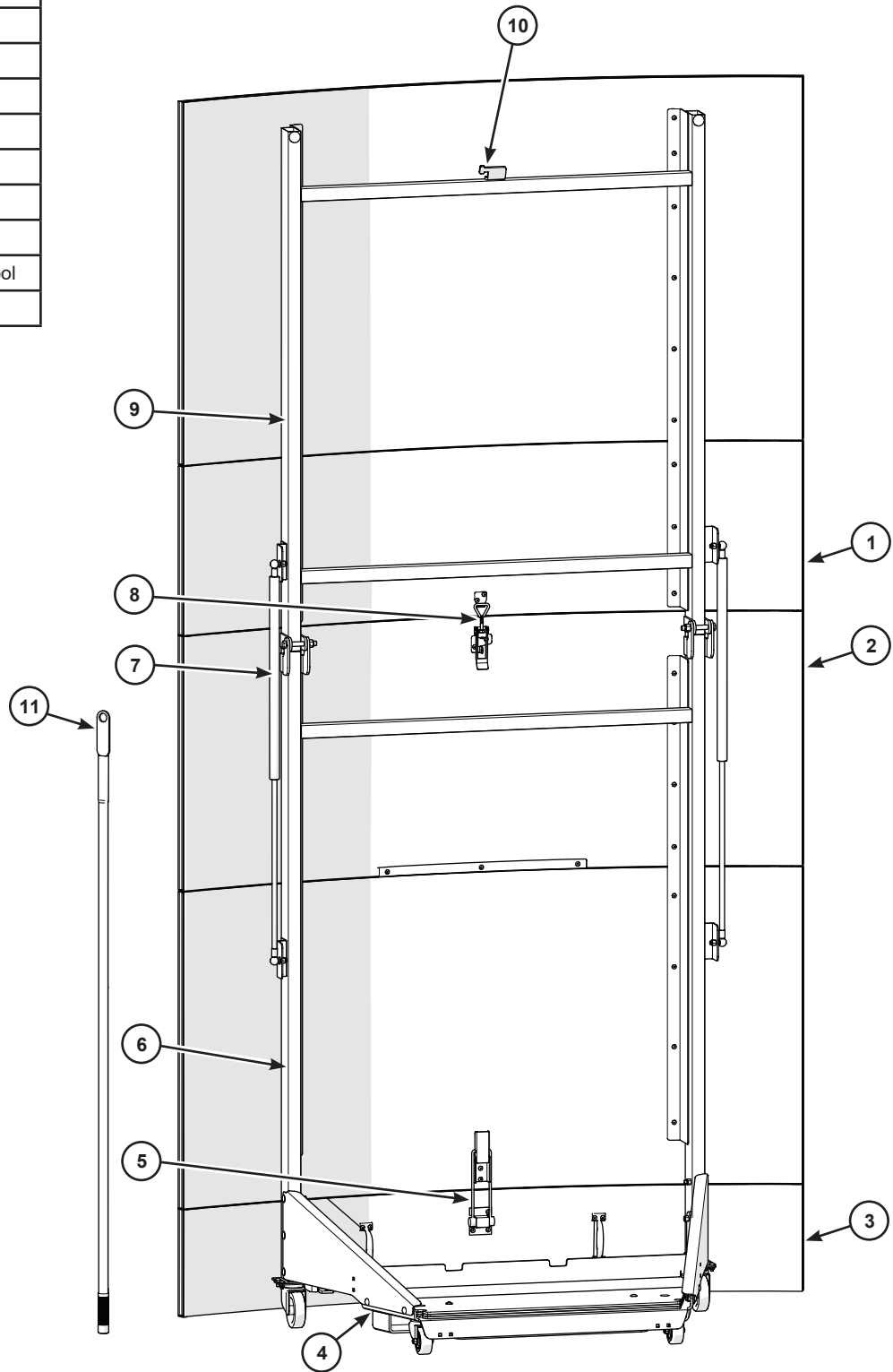
Storage Position - When a tower is folded down.

Performance Position - When a tower is fully raised.



Tower Components

Item	Description
1	Upper Assembly
2	Lower Assembly
3	Filler Panel
4	Base
5	Locking Lever
6	Lower Frame
7	Gas Spring
8	Over Center Latch
9	Upper Frame
10	Receiver for Push/Pull Tool
11	Push/Pull Tool



Storing the Towers

In their Storage Position, the towers can pass through a typical 36" (914 mm) door with a 35" x 79" (889 x 2007 mm) opening.

A single tower unit is 72"w x 78-1/2"h x 33"d (1829 x 1994 x 838 mm). Each additional tower will "nest" with the others as shown, requiring an additional 20-3/4" (527 mm) of depth per unit.

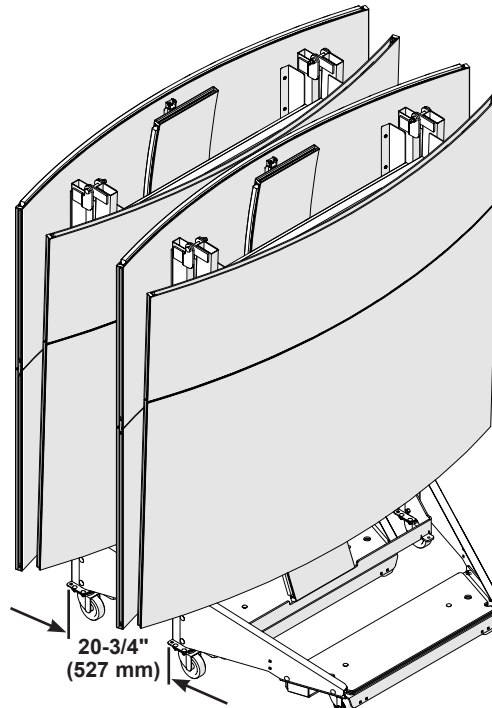
Store the towers in a space that is clean and dry.
Avoid spaces with high heat, extreme cold, or very humid conditions.

CAUTION

To prevent damage, transport shells individually and never nested in a group.

CAUTION

Do not use a powered device such as a fork lift to transport the shells.



Moving the Towers

One person can move and steer a single tower.

All four wheels are swivel casters, so steering the tower requires special attention.

If a tower is nested with other towers, prevent damage by having two people move it away from the others and through any door openings.

If a tower must be moved more than a few feet to the performance space, carefully roll it sideways at a slow pace.

Slow down for corners and when moving through doorways.

The swivel casters are heavy-duty, but moving the towers over thresholds should be done carefully and at a slow speed. Use a ramp to move the towers over curbs or steps.

Always move the towers sideways when going up or down a ramp.

To avoid fingerprints on the panels, have clean hands or wear clean gloves.

⚠ CAUTION

Never move the tower more than a few feet when it is in the Performance Position.

⚠ CAUTION

Always have the tower in the Storage Position when moving to different locations.

⚠ CAUTION

To prevent damage, transport towers individually and never nested in a group.

⚠ CAUTION

Do not use a powered device such as a fork lift to transport the towers.

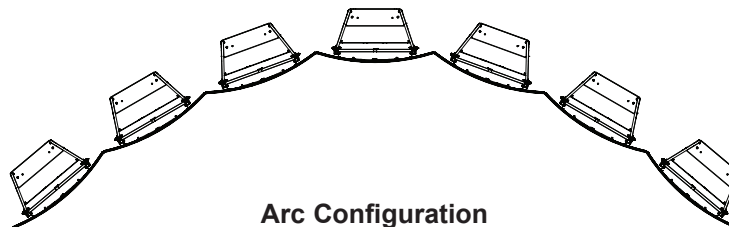
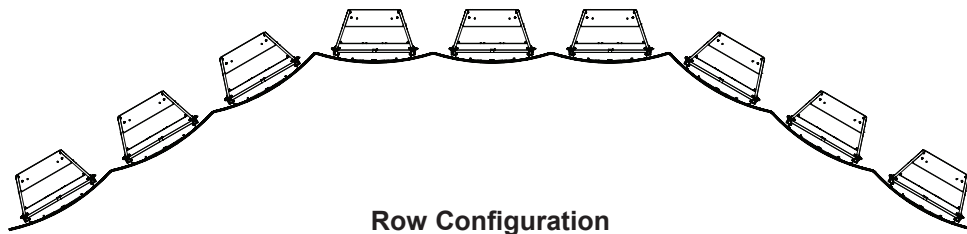
Arranging the Towers

Each tower is 72" (1829 mm) wide.

While they are still in the Storage Position, arrange the towers as desired, in a row or arc.

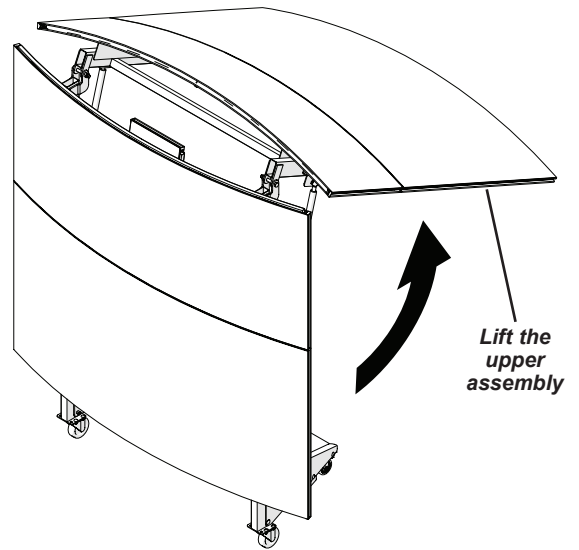
Check for overhead clearance and for fit with risers and other equipment in the Performance Space.

Roll the towers about 6" (152 mm) apart, to allow clearance for raising them to the Performance Position.



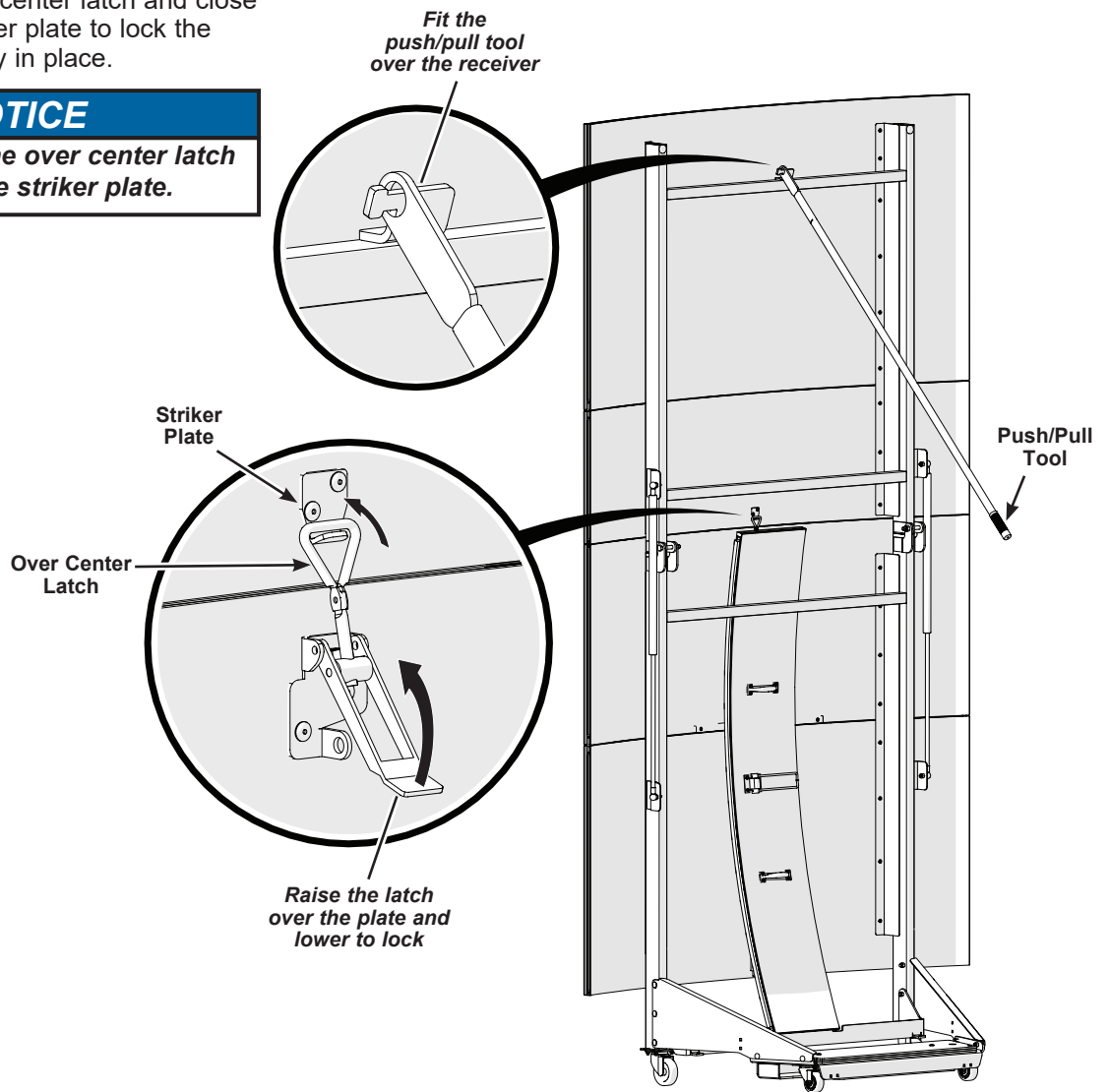
Raising a Tower

1. Lift the upper assembly up to the Performance Position.
The push/pull tool may be needed, see below.



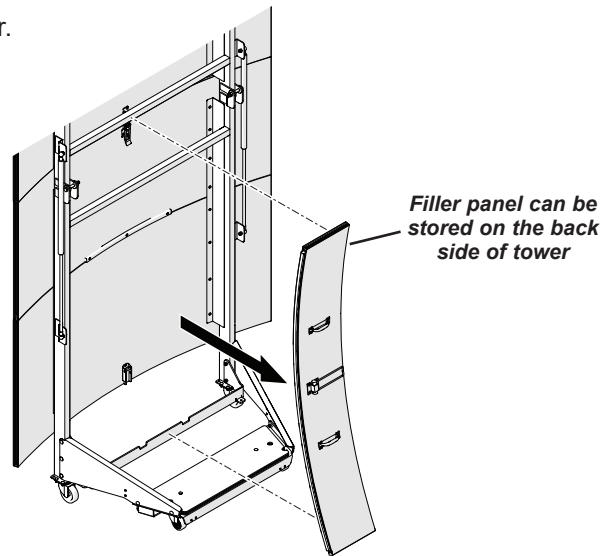
2. Raise the over center latch and close it over the striker plate to lock the upper assembly in place.

NOTICE
Make sure that the over center latch is locked onto the striker plate.

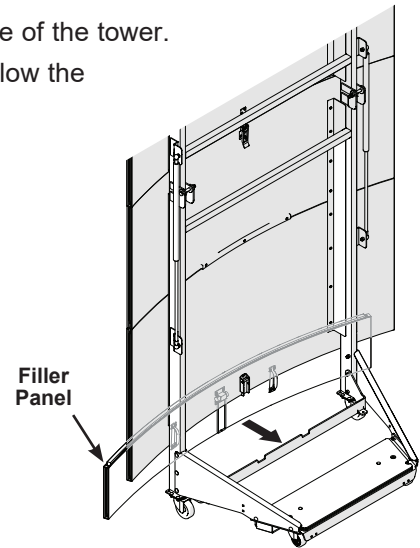


Raising a Tower (continued)

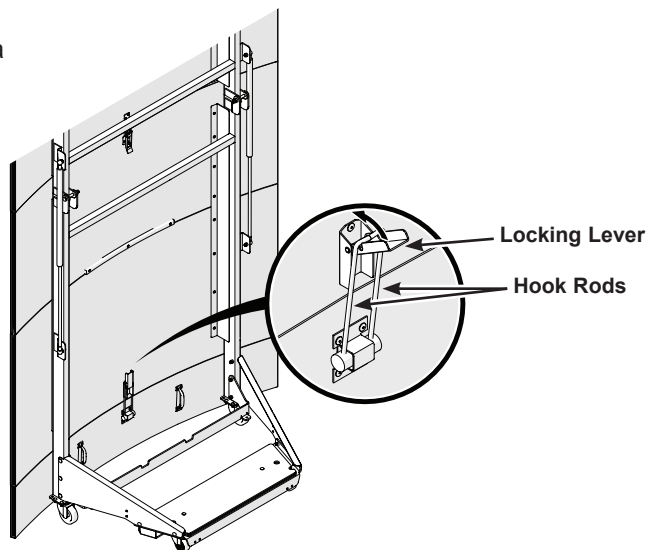
3. Install the filler panel.
The filler panel can be stored on the back side of the tower.



- a. Align the filler panel just below the lower assembly from the front side of the tower.
- b. Holding the filler panel handles, place the filler panel into position below the lower assembly.

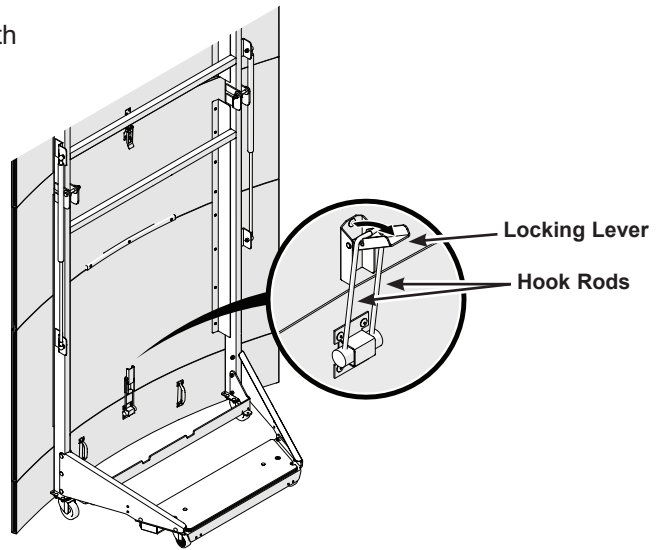


- c. Lock the filler panel to the lower assembly with one person holding the filler panel in place and a second person engaging the hook rods with the locking lever and closing the locking lever.

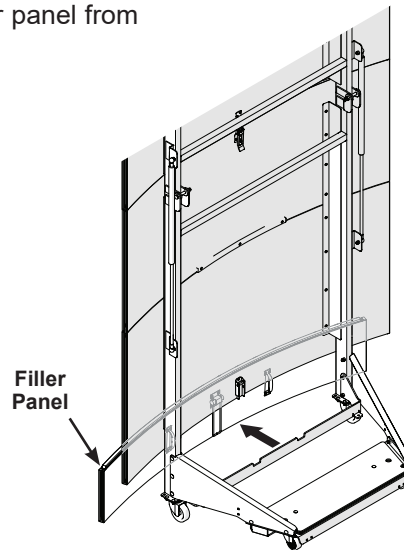


Lowering a Tower

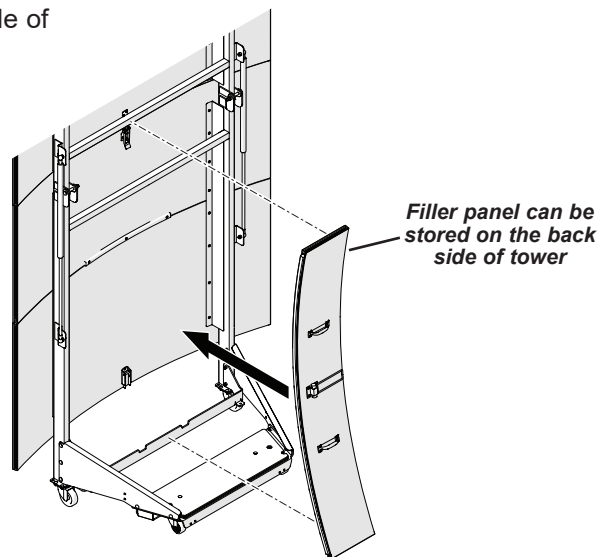
1. Remove the filler panel.
 - a. Unlock the filler panel from the lower assembly with one person holding the filler panel in place and a second person disengaging the hook rods with the locking lever and opening the locking lever.



- b. Holding the filler panel handles, remove the filler panel from the lower assembly.



- c. The filler panel can be stored on the back side of the tower.

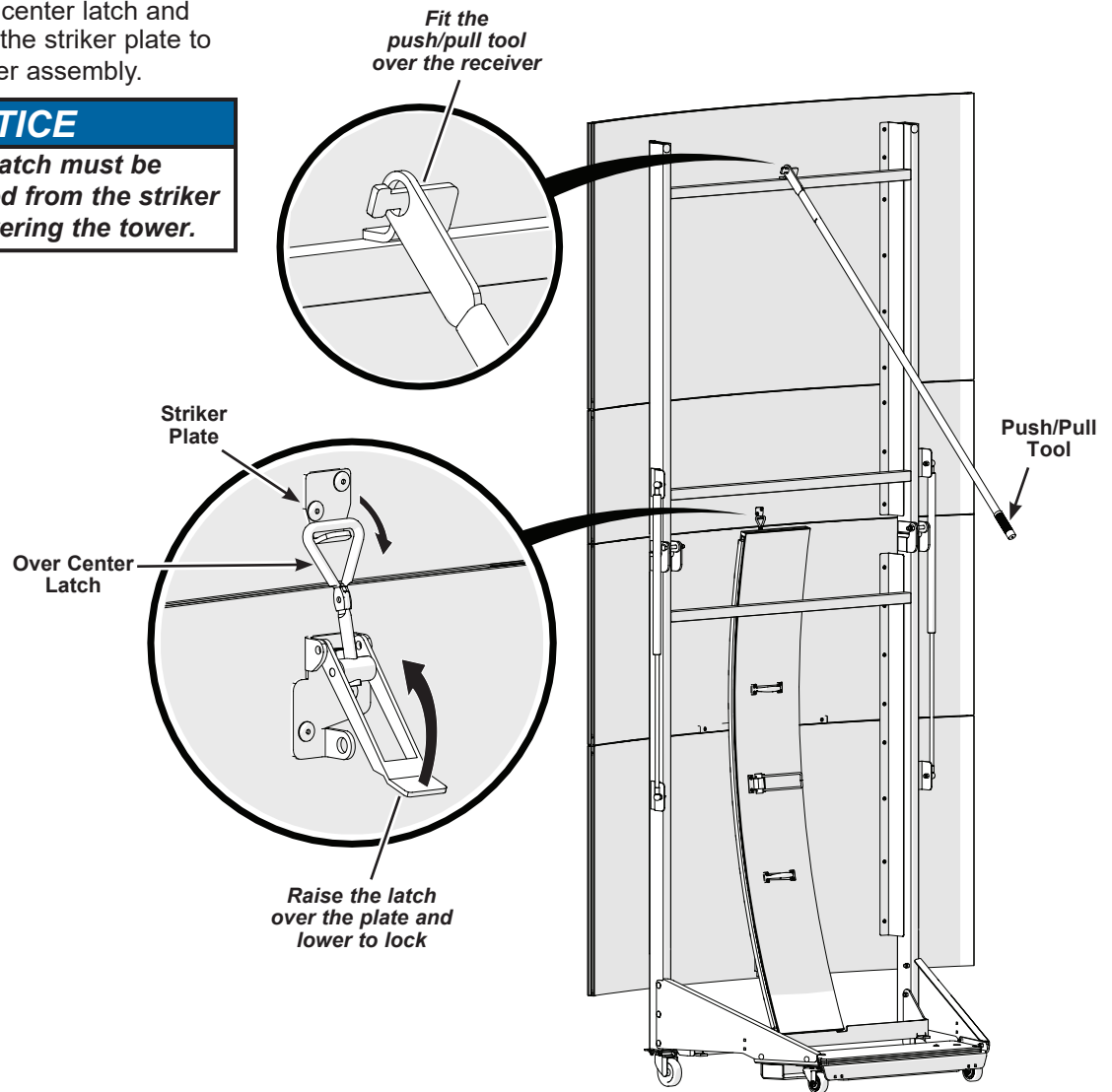


Lowering a Tower (continued)

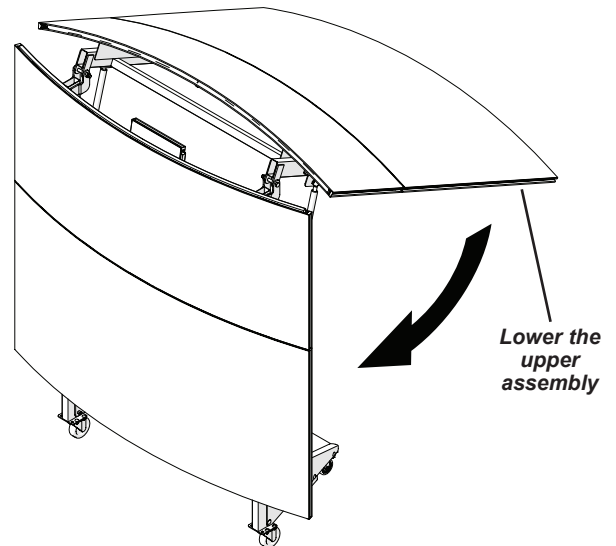
2. Raise the over center latch and remove it from the striker plate to unlock the upper assembly.

NOTICE

The over center latch must be totally disengaged from the striker plate prior to lowering the tower.



3. Use the push/pull tool to lower the upper assembly down to the Storage Position.



Maintenance

Cleaning

Use a soft, damp cloth to clean all surfaces. Never hose down the towers or soak any components. For smudges or fingerprints, dampen a cloth with any standard non-abrasive household cleaner and wipe clean.

Mechanical Check

Periodically (every three or four uses) check for loose or damaged parts and for loose fasteners. Replace or repair damaged parts promptly.

Panel Repair

Panels are of lightweight composite construction and made of durable materials. If damaged, repairs can be made with common fillers and paint.

CAUTION

Do not make mechanical adjustments to the tower or remove any components. Contact Wenger Corporation Customer Service for repair options.